

PRODUCT SPEC SHEET

JOFEL VALOR INTERFOLD TOWEL DISPENSER, 600 Z-FOLD, PLASTIC, BLACK

CODE
AH37600

GENERAL DESCRIPTION

Dispenser made of ABS, black base and lid with a slot to observe paper consumption. Recommended for high rotation and public W.C. places.

COMPONENTS AND MATERIALS

- Galvanized saw Cal.18
- Manufactured in ABS all components
- Smart line lock on the same base
- Includes installation kit



TECHNICAL CHARACTERISTICS

Dimensions in Millimeters	HEIGHT: 368	LENGTH: 278	WIDTH: 133
Dimensions in Inches	HEIGHT: 14.488"	LENGTH: 10.94"	WIDTH: 5.23"
Dimensions in Inches	HEIGHT: 14 31/64"	LENGTH: 10 15/16"	WIDTH: 5 15/64"
Capacity	1 package of 600 inter-folded towels		
Quantity issued	1 Interfolded towel		
Weight	680 grs.	1.5 lb	
Content per box	1 pieces		
Finish	Smooth		

EQUIPMENT CLEANING

A damp cloth is sufficient for cleaning this product. Solvents can dull the piece and erase the serigraphy.

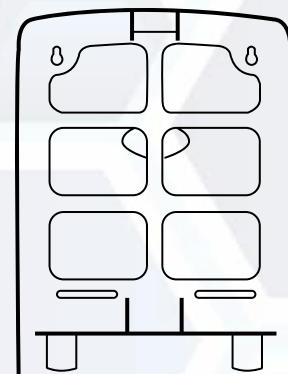
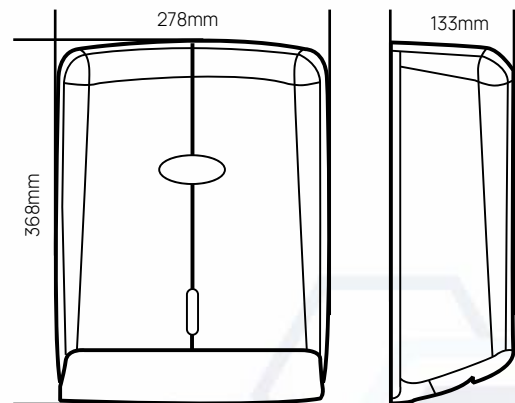
FUNCTIONING

Place the towel package inter-folded leaving the edge facing out and it is ready to start using it.

INSTALLATION

On walls 1.5m from the floor.

VISUALIZATION:



VALIDATE

DEPARTMENT OF ENGINEERING
 AUTHORIZED BY: LAURA LILIA GUERRERO
 ELABORATED BY: GUADALUPE DE LA LUZ
 CODE: ING-FO-01
 FORMAT AND AVAILABLE: ENGINEERING
 REV-01 VER-01