

PRODUCT SPEC SHEET

SMART Z FOLD TOWEL DISPENSER WHITE

CODE
AH37000

GENERAL DESCRIPTION

Interfold towel dispenser. White base and cover with an opening to see the paper consumption. Suitable for public restrooms.

COMPONENTS AND MATERIALS

- Made in ABS plastics
- Smart line locking mechanism on the base
- Includes instalation kit



TECHNICAL CHARACTERISTICS

Dimensions in Millimeters	HEIGHT: 368	LENGTH: 278	WIDTH: 133
Dimensions in Inches	HEIGHT: 14.49"	LENGTH: 10.94"	WIDTH: 5.2"
Dimensions in Inches	HEIGHT: 14 31/64"	LENGTH: 10 15/16"	WIDTH: 5 15/64"
Capacity	600 towel		
Quantity issued	1 multifolded towel		
Weight	680 grs.	1.5 lb	
Content per case	1 unit		
Finish	Smooth		

EQUIPMENT CLEANING

For the cleaning of this product a damp roth is all that is needed. Solvents may dull the finish and fade the screen print.

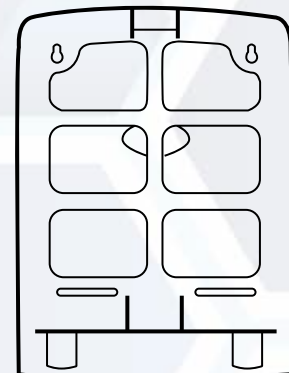
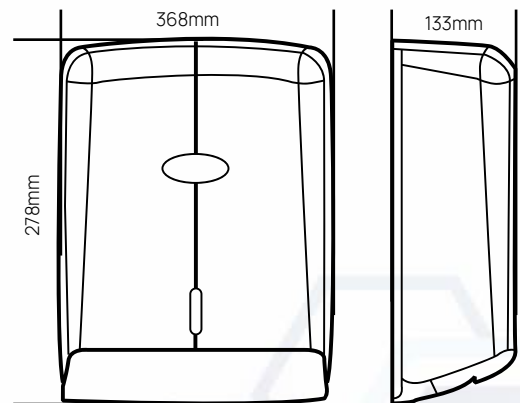
FUNCTIONING

Set roll and leave the tip out in order to start using.

INSTALLATION

On walls, 1.5 mts above the floor.

VISUALIZATION:



VALIDATE

DEPARTMENT OF ENGINEERING
 AUTHORIZED BY: LAURA LILIA GUERRERO
 ELABORATED BY: GUADALUPE DE LA LUZ
 CODE: ING-FO-01
 FORMAT AND AVAILABLE: ENGINEERING
 REV-01 VER-01