

PRODUCT SPEC SHEET

10" MAXI TOILET TISSUE DISPENSER SMART

CODE
AE77000

GENERAL DESCRIPTION

"Low cost" jumbo toilet paper roll dispenser, made of high quality matte black ABS, key lock, content viewer, for rolls up to 400 m, 260 mm maximum diameter, suitable for 45 and 55 mm mandrel diameter, hinged cover for easy service.

COMPONENTS AND MATERIALS

- Made of abs plastic
- Colour/finish base and cover : matte black
- Complemented by other products of the smart range: AH37000 - AG47000 - AC96500
- Fixing by means of wall plugs and screws also suitable for adhesive fixing (not included)

TECHNICAL CHARACTERISTICS

Dimensions in Millimeters	HEIGHT: 338	LENGTH: 332	WIDTH: 125
Dimensions in Inches	HEIGHT: 13.30"	LENGTH: 13.07"	WIDTH: 4.92"
Capacity	1 ROLL OF PAPER 90 mm THICK, Ø 260 mm, Ø 45/55 mm		
Quantity issued	At convenience		
Weight	668 grs.	1.47 lb	
Content per box	Single unit packaging		
Finish	Smooth		



EQUIPMENT CLEANING

For the cleaning of this product a damp cloth is all that is needed. Solvents may dull the finish and fade the screen print.

FUNCTIONING

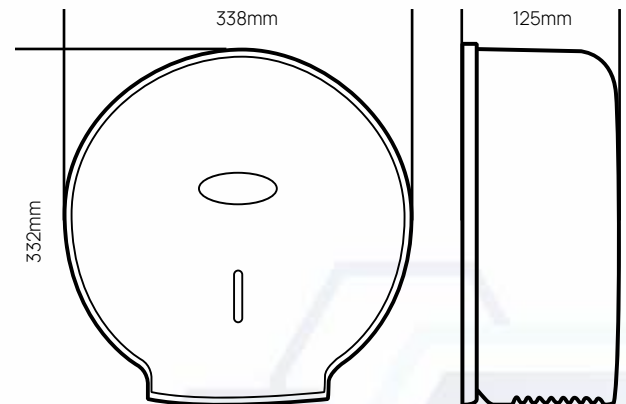
Set roll and leave the tip out in order to start using. The base holds a saw in order to cut the paper more easily.

INSTALLATION

On walls or restroom divisions.

Accessories included: 2 point black key, 3 wall plugs and 3 screws.

VISUALIZATION:



VALIDATE

DEPARTMENT OF ENGINEERING
 AUTHORIZED BY: LAURA LILIA GUERRERO
 ELABORATED BY: GUADALUPE DE LA LUZ
 CODE: ING-FO-01
 FORMAT AND AVAILABLE: ENGINEERING
 REV-01 VER- 01