

PRODUCT SPEC SHEET

9" MINI TOILET TISSUE DISPENSER SMART

CODE
AE59600

GENERAL DESCRIPTION

Toilet tissue dispenser suitable for a 9" (230 mm) roll. Black cover, with azul locking mechanism and an opening in the center to see the roll towel consumption. Recommended for public restrooms.

COMPONENTS AND MATERIALS

- Made in ABS plastic
- Includes installation kit

TECHNICAL CHARACTERISTICS

Dimensions in Millimeters	HEIGHT: 280	LENGTH: 278	WIDTH: 127
Dimensions in Inches	HEIGHT: 11.02"	LENGTH: 10.94"	WIDTH: 5.0"
Dimensions in Inches	HEIGHT: 1 11/32"	LENGTH: 10 15/16"	WIDTH: 5.0"
Capacity	1 roll of 9"		
Quantity issued	At convenience		
Weight	700 grs.	1,54 lb	
Content per box	1 unit		
Finish	Smooth		

EQUIPMENT CLEANING

For the cleaning of this product a damp cloth is all that is needed. Solvents may dull the finish and fade the screen print.

FUNCTIONING

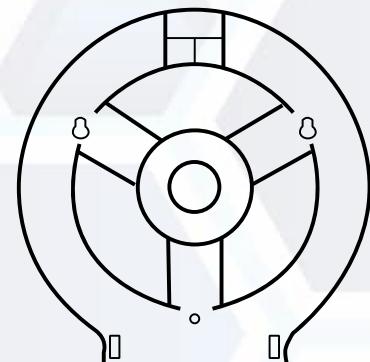
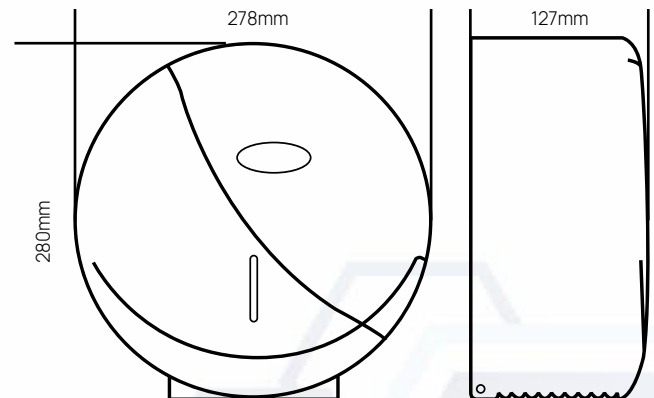
Set roll and leave the tip out in order to start using. The base holds a saw in order to cut the paper more easily.

INSTALLATION

On walls or restroom divisions.



VISUALIZATION:



VALIDATE

DEPARTMENT OF ENGINEERING
 AUTHORIZED BY: LAURA LILIA GUERRERO
 ELABORATED BY: GUADALUPE DE LA LUZ
 CODE: ING-FO-01
 FORMAT AND AVAILABLE: ENGINEERING
 REV-01 VER-01