

PRODUCT SPEC SHEET

SMART 9" TOILET TISSUE DISPENSER WHITE

CODE
AE59000

GENERAL DESCRIPTION

Toilet tissue dispenser suitable for a 9" (230 mm) roll. White cover, with azur locking mechanism and an opening in the center to see the roll towel consumption. Recommended for public restrooms.

COMPONENTS AND MATERIALS

- Made in ABS plastic
- Includes installation kit

TECHNICAL CHARACTERISTICS

Dimensions in Millimeters	HEIGHT: 278	LENGTH: 278	WIDTH: 122
Dimensions in Inches	HEIGHT: 10.94"	LENGTH: 10.94"	WIDTH: 4.72"
Dimensions in Inches	HEIGHT: 10 15/16"	LENGTH: 10 15/16"	WIDTH: 4 23/32"
Capacity	1 roll of 9"		
Quantity issued	At convenience		
Weight	526 grs.	1.16 lb	
Content per box	1 unit		
Finish	Smooth		

EQUIPMENT CLEANING

For the cleaning of this product a damp roth is all that is needed. Solvents may dull the finish and fade the screen print.

FUNCTIONING

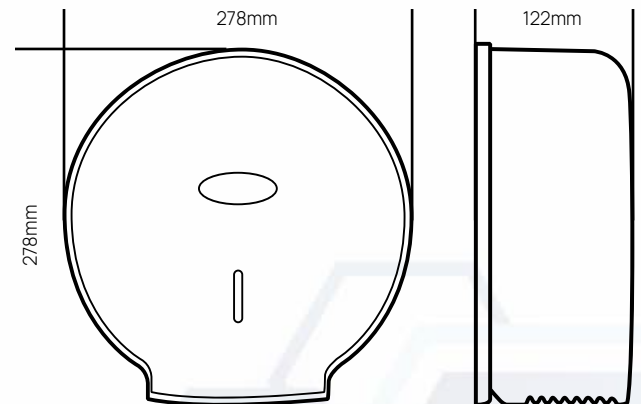
Set roll and leave the tip out in order to start using. The base holds a saw in order to cut the paper more easily.

INSTALLATION

On walls or restroom divisions.



VISUALIZATION:



VALIDATE

DEPARTMENT OF ENGINEERING
 AUTHORIZED BY: LAURA LILIA GUERRERO
 ELABORATED BY: GUADALUPE DE LA LUZ
 CODE: ING-FO-01
 FORMAT AND AVAILABLE: ENGINEERING
 REV-01 VER-01