

# PRODUCT SPEC SHEET

## JOFEL VALOR SINGLE 9" TISSUE DISPENSER, PLASTIC, MATTE BLACK

**CODE**  
**AE57900**

### GENERAL DESCRIPTION

Paper roll holder to hold 9" (230mm) roll of paper. Matte black lid with slot in the center to see paper consumption, black base and nickel varnish finish plate.

### COMPONENTS AND MATERIALS

- Cover made of ABS with matte black coating
- Base made of black ABS
- Includes installation kit

### TECHNICAL CHARACTERISTICS

Dimensions in Millimeters	HEIGHT: 280	LENGTH: 278	WIDTH: 127
Dimensions in Inches	HEIGHT: 11.02"	LENGTH: 10.94"	WIDTH: 5.0"
Dimensions in Inches	HEIGHT: 1 11/32"	LENGTH: 10 15/16"	WIDTH: 5.0"
Capacity	1 roll of 9"		
Quantity issued	At convenience		
Weight	630 grs.	1.39 lb	
Content per box	1 unit		
Finish	Smooth		

### EQUIPMENT CLEANING

For the cleaning of this product a damp cloth is all that is needed. Solvents may dull the finish and fade the screen print.

### FUNCTIONING

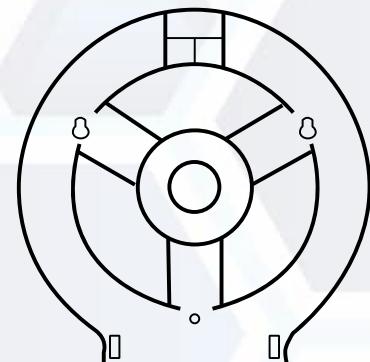
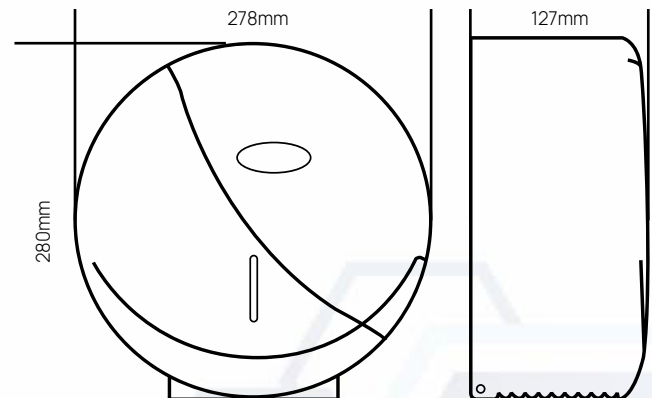
In order to set the paper, introduce the 1st cover into the base hole, next pull the paper down until getting the desired quantity.

### INSTALLATION

On walls or restroom divisions.



VISUALIZATION:



**VALIDATE**

DEPARTMENT OF ENGINEERING  
 AUTHORIZED BY: LAURA LILIA GUERRERO  
 ELABORATED BY: GUADALUPE DE LA LUZ  
 CODE: ING-FO-01  
 FORMAT AND AVAILABLE: ENGINEERING  
 REV-01 VER-01