

PRODUCT SPEC SHEET

WALL-MOUNTED INDUSTRIAL ROLL HOLDER

CODE
040-37



GENERAL DESCRIPTION

Roll towel dispenser for industrial areas, practical design, body made up of tubes and plastic components. 2 roll lateral brackets. Product color: metallic gray.

COMPONENTS AND MATERIALS

- Made in galvanized metal sheet Cal.20
- Made in 3/4" tube Cal. 18
- Baked powder paint for more durability
- Cal.18 galvanized saw
- Includes installation kit

TECHNICAL CHARACTERISTICS

Dimensions in Millimeters	HEIGHT: 400	LENGTH: 420	WIDTH: 285
Dimensions in Inches	HEIGHT: 15.75"	LENGTH: 16.53"	WIDTH: 11.22"
Dimensions in Inches	HEIGHT: 15 3/4"	LENGTH: 16 17/32"	WIDTH: 11 7/32"
Capacity	1 industrial roll		
Quantity issued	At convenience		
Weight	2000 g	4.41 lb	
Content per box	1 unit		
Finish	Smooth		



EQUIPMENT CLEANING

For the cleaning of this product a damp cloth is all that is needed. Solvents may dull the finish and fade the screen print.

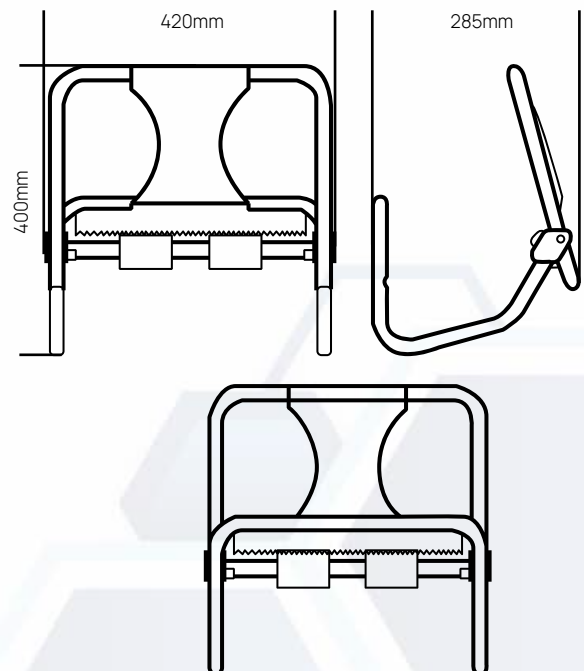
FUNCTIONING

Manual actioning. Pull the desired quantity and lift in order to cut it with the saw.

INSTALLATION

On walls.

VISUALIZATION:



VALIDATE

DEPARTMENT OF ENGINEERING
 AUTHORIZED BY: LAURA LILIA GUERRERO
 ELABORATED BY: GUADALUPE DE LA LUZ
 CODE: ING-FO-01
 FORMAT AND AVAILABLE: ENGINEERING
 REV-01 VER-01